

## INDOOR CHANGE MACHINES

# DUAL COIN PRO

Sturdy and secure  
in every applications



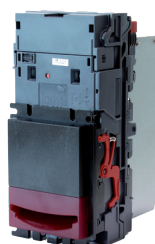
## IDEAL SOLUTION FOR DISPENSING LARGE AMOUNTS OF COINS/TOKENS

Its exceptional structural strength, the reinforced closing mechanisms and ccTalk protocol make it one of the most secure change machines on the market. The 32-bit CPU provides notable functions, such as importing/exporting configuration parameters, exporting accounting data and the useful function of machine cloning.

## FEATURES

- Distribution of coins and tokens.  
Bonus function for tokens
- Coins/tokens dispensed automatically or manually
- Separate dispensing of coins and tokens (contained in different hoppers), using the appropriate button
- Machine cloning function
- Internal on/off controls to prevent tampering
- Pivoting door to facilitate dispenser-loading and cash box removal operations
- Additional doors to recharge the change machine (on the cover)
- Installation:
  - wall mounted through 3 anchoring bolts at the back side of the device
  - Countertop
  - Free standing
- 32-bit CPU with SD-Card: exporting of accounting data and importing of configuration parameters via SD-Card

Dual Coin PRO can be equipped with the NV9 USB banknote reader with built-in stacker to hold up to 600 banknotes



**OPTIONAL ACCESSORIES**

- Support base
- Reprogrammable lock
- Coin/token collection cups (max h 120 mm - Ø 145 mm)
- Cup dispensing tube
- Steel protective bars

**INSTALLED PERIPHERALS**

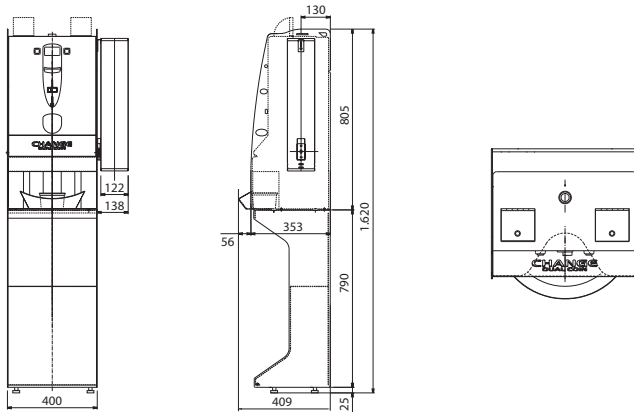
- Evolution hoppers with extensions
- NV9 USB/NV10 USB banknote reader

**OPTIONAL PERIPHERALS**

- RM5 HD coin validator

**TOOLS**

- Multiconfig
- Software to configure the change machine



Technical Schematics



TECHNICAL SPECIFICATION	CHANGE MACHINE	CHANGE MACHINE WITH SUPPORT BASE
DIMENSIONS (LXHXW)	400 x 805 x 409 mm	400 x 1,620 x 409 mm
WEIGHT	43 kg	60 kg
POWER SUPPLY	230 Vac - 50 Hz	230 Vac - 50 Hz
POWER CONSUMPTION	60 W max	60 W max
OPERATING TEMPERATURE	3°C ÷ 50 °C	3 °C ÷ 50 °C

COIN CAPACITY	0.5 €	1 €	2 €
2 EVOLUTION HOPPERS WITH EXTENSIONS	7,000	3,500	6,500
CASH BOX			4,600